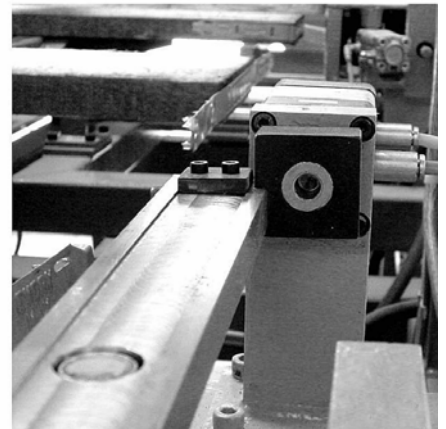
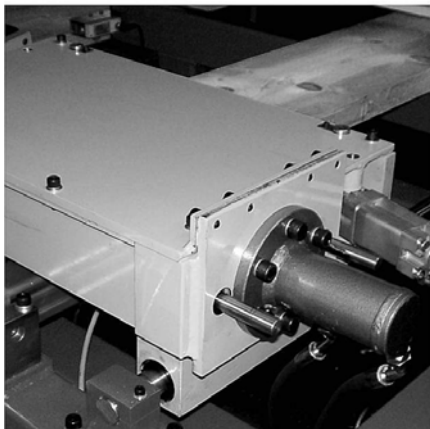
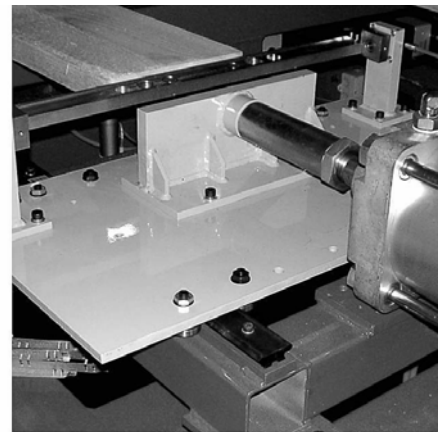
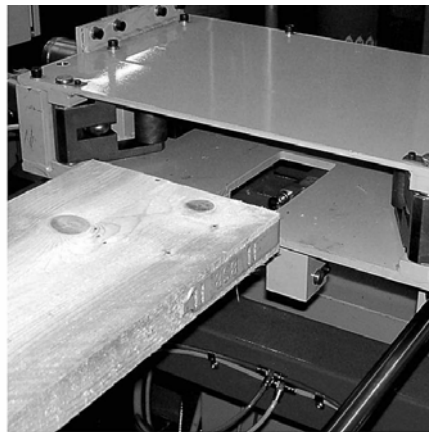
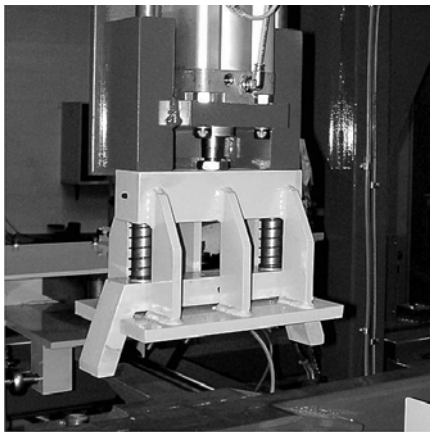




## SPEEDBAND MK3

SCAFFOLD BOARD - AUTO END BANDING & STACKING MACHINE



AT 250 BOARDS PER HOUR CAN YOU AFFORD TO BE LEFT BEHIND?

# SPEEDBAND MK3

## SCAFFOLD BOARD - AUTO END BANDING & STACKING MACHINE



No nails required  
Simple - two man operation  
Cuts scaffold board production costs

The SPEEDBAND MK3 dramatically cuts the costs of manufacturing scaffold boards by improving production – up to 250 boards per hour - whilst reducing labour costs, as it is a simple two-man operation. The SPEEDBAND MK3 enables your company to respond faster to your customer's requirements giving them a faster delivery time. By cutting the manufacturing and labour costs of the scaffold board process you will have a greater profit margin on your boards.

# PRINCIPLE OF OPERATION

The Speedband MK3 is a simple to use automatic end banding machine that uses the customer preferred fully barbed end bands. It is simple to use and run by only two operators. The MK3 incorporates full stacking facilities and has a capacity up to 250 boards an hour (or as fast as the operator's can load).

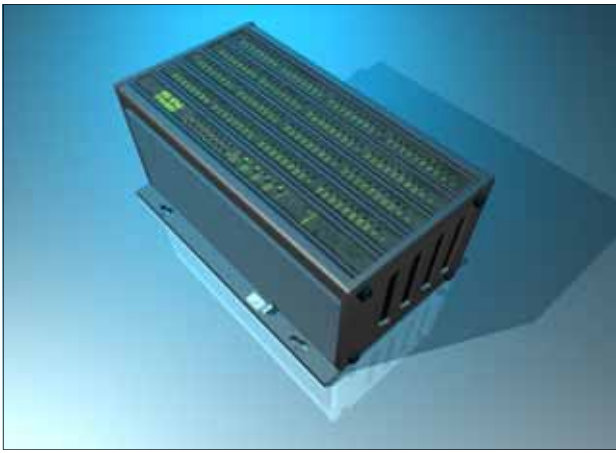
The Speedband MK3 is mounted on rails and divided into two halves - one fixed and one moving side - allowing the machine to accommodate board lengths of between 2.4 and 3.9m.

The operators load the bands into the magnetised band holder at station one. Once they both press their 'start' buttons the automated process of the machine begins by transferring the board from the loading area to the first station, where the band is driven into the end of the board. This board then moves to the second station where the band is formed around the sides of the board and driven in.

Following the fixing of the band the board travels to the automatic stacker facility. Stacking in five board rows, up to a maximum height of 25 layers [125 board pack]. The completed pack is then automatically driven out via chains to await collection.

The Speedband MK3 is from a range of machinery that we design and manufacture. All our products are built for quality and reliability and backed with 25 years experience in machine design and after sales service.





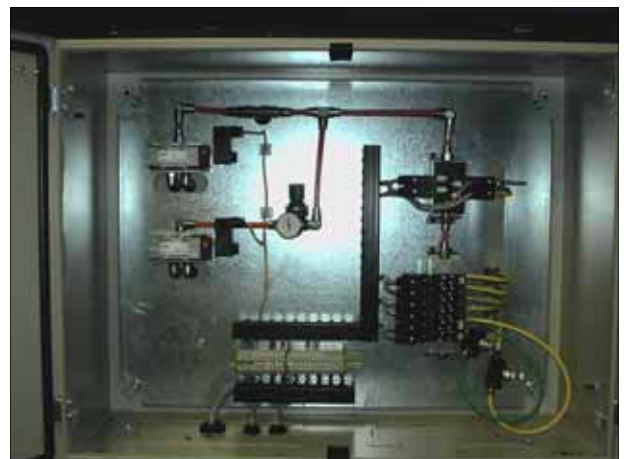
An Eberle PLS 511-03-S programmable controller controls the Speedband Mk3. The developed program is held permanently on a static RAM card and all input and outputs can be monitored visually on the front face of the PLC by LED indicators. The PLC offers the advantage of being a simple 'plug-in' unit should substitution be necessary during maintenance.

The 511-03-S PLC is mounted inside one of the two main electrical cabinets, this lockable sealed enclosure keeps the PLC and its accompanying electronics safe from any environmental problems such as moisture or timber debris.



The second electrical cabinet contains all of the 415 volt three phase components, such as contactors and overloads for each of the Speedband's motors. This cabinet is also lockable ensuring maximum safety, while keeping the internal electronics safe.

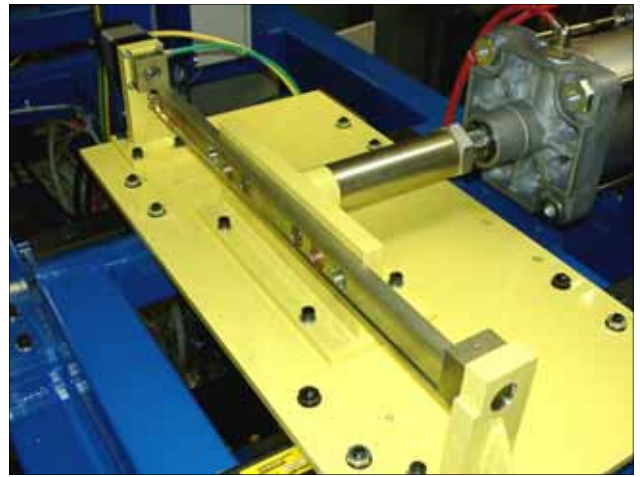
Pneumatic control components of the Speedband are located in one of the two identical pneumatics cabinets. One cabinet is located the moving side and one on the fixed side of the machine. The moving side of the machine is connected electronically to the fixed side via a flexible chain link trunking. This allows for different lengths of board to be accommodated.





Whilst the Speedband is a fully automatic piece of machinery manual control of any function is accessible via the manual control switch box.

Bands are loaded onto the band holders by the operators at the front end of the machine, once both operators have pressed their 'start' buttons the band holders rotate to a vertical position and the bands are pressed via air cylinders into each end of the board.

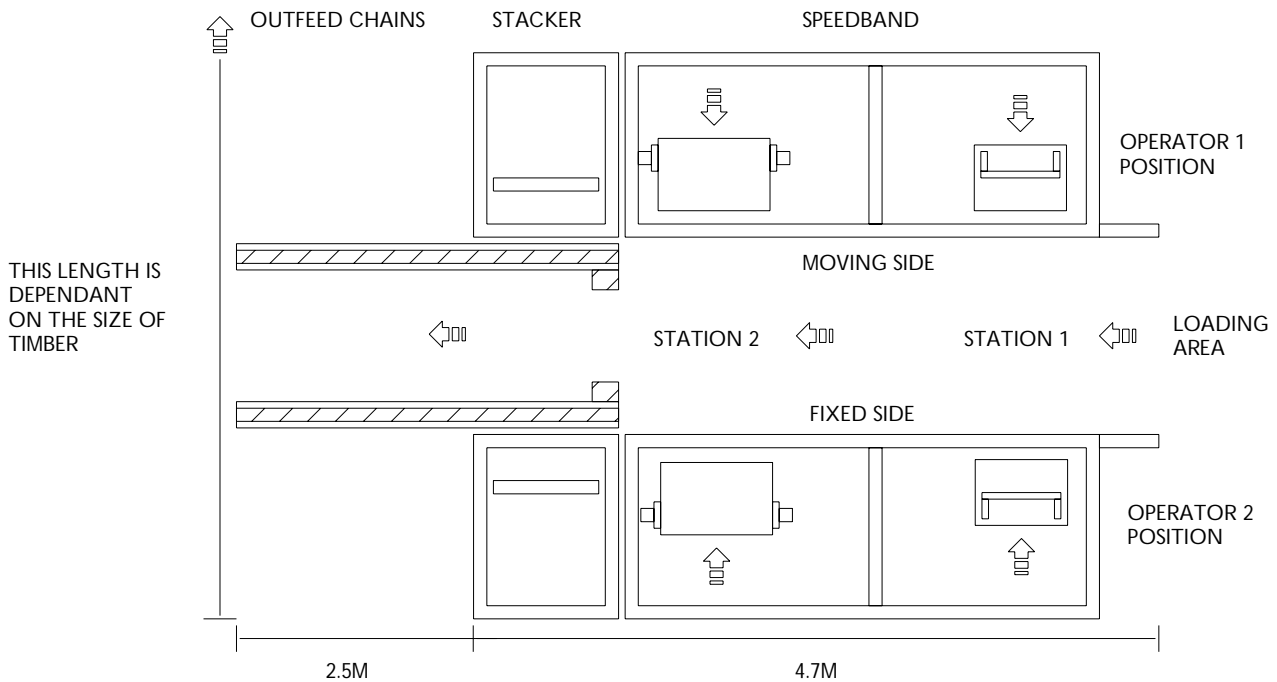


The scaffold boards are passed to this station where the hydraulic rams press the band into the sides of the board. After leaving this station the boards are stacked by the auto stacking part of the Speedband machine...

...and then driven outside via chains on completion of a full stack.



# TECHNICAL SPECIFICATION



## MACHINE CAPACITY AND SPEED:

Up to 250 boards per hour.  
Min length - 2.4m  
Max length - 3.9m

## ELECTRICAL:

380 / 415 V.A.C. @ 50Hz  
Earth & Neutral.  
Current - 32 Amps

## PNEUMATICS:

100 Cubic feet Per Minute @ 100 P.S.I.



**measuring and process control ltd**

Unit 2, Tabrums Industrial Estate Battlesbridge, Essex, SS11 9QX, UK  
TEL: +44 (0) 1245 322855 FAX: +44 (0) 1245 328922  
email: [sales@mpcuk.co.uk](mailto:sales@mpcuk.co.uk) website: [www.mpcuk.co.uk](http://www.mpcuk.co.uk)